

# NBC-M12FSBP/3,0-93E/R4AC - Network cable



1412330

<https://www.phoenixcontact.com/us/products/1412330>

Please be informed that the data shown in this PDF document is generated from our online catalog. Please find the complete data in the user documentation. Our general terms of use for downloads are valid.

Network cable, cable length: 3 m, number of positions: 4, CAT5, cable outlet: straight, Ethernet



## Your advantages

- Perfect for industrial applications
- Perfect for office, building, and protected industrial applications (e.g., in control cabinets)
- Compact angle

## Commercial data

Item number	1412330
Packing unit	1 pc
Minimum order quantity	1 pc
Note	Made to order (non-returnable)
Sales key	AB18
Product key	ABNPAB
GTIN	4046356957076
Weight per piece (including packing)	163.4 g
Weight per piece (excluding packing)	159 g
Customs tariff number	85444290
Country of origin	PL

1412330

<https://www.phoenixcontact.com/us/products/1412330>

## Technical data

### Mounting

Mounting type	Screw mounting
---------------	----------------

### Product properties

Type	M12
Product type	Circular connectors (device side)
Sensor type	Ethernet
Number of positions	4
No. of cable outlets	1
Shielded	yes
Cable outlet	straight

### Insulation characteristics

Degree of pollution	3
---------------------	---

### Material specifications

Flammability rating according to UL 94	V2
Outer sheath, material	PUR
Conductor material	Bare Cu litz wires

### Electrical properties

Rated voltage (III/3)	72 V (DC)
Nominal current $I_N$	2 A
Transmission medium	Copper
Transmission characteristics (category)	CAT5 (IEC 11801:2002)
Transmission speed	100 Mbps

### Mechanical properties

#### Mechanical data

Insertion/withdrawal cycles	$\geq 100$
-----------------------------	------------

### Connector

#### Connection 1

Type	Flush-type female connector straight M12
Locking type	SPEEDCON
Degree of protection	IP65/IP67

#### Connection 2

Type	Plug straight RJ45
Degree of protection	IP20

### Cable/line

# NBC-M12FSBP/3,0-93E/R4AC - Network cable



1412330

<https://www.phoenixcontact.com/us/products/1412330>

Cable length	3.00 m
Ethernet [93E]	
Shielded	yes
Cable weight	42 kg/km
Cable type	Ethernet
Cable type (abbreviation)	93E
Signal type/category	Ethernet CAT5 (IEC 11801:2002)
Cable structure	2x2xAWG26/7 PIMF
External cable diameter	6.7 mm
Outer sheath, material	PUR
External sheath, color	water blue RAL 5021
Conductor material	Bare Cu litz wires
Conductor structure signal line	7x 0.15 mm
AWG signal line	26
Conductor cross section	2x 2x 0.14 mm <sup>2</sup>
Material wire insulation	Cell PE
Wire diameter incl. insulation	≤ 1.05 mm
Single wire, color	white/orange-orange, white/green-green
Twisted pairs	2 cores to the pair
Type of pair shielding	Aluminum-lined polyester foil
Overall twist	Two pairs with two fillers to the core
Shielding	Tinned copper braided shield
Nominal voltage, cable	max. 125 V
Test voltage, cable	1000 V
Cable resistance	≤ 150 Ω/km
Cable insulation resistance	≥ 5 GΩ*km
Coupling resistance	5.00 mΩ/m (at 10 MHz)
Wave impedance	100 Ω ±5 % (at 100 MHz)
Working capacitance	42 pF
Signal speed	0.72 c
Tensile strength	30 N (for installation) 10 N (in accordance with installation)
Smallest bending radius, movable installation	34 mm
Shield attenuation	60 dB (up to 1000 MHz)
Halogen-free	complying with IEC 60754-1/2
Resistance to oil	in accordance with DIN EN 60811-2-1
Concentration of fumes	in accordance with IEC 61034-1/2
Flame resistance	complying with IEC 60332-2-2
Other resistance	Microbe resistance as per VDE 0282 section 10 Hydrolysis resistance as per DIN 53504
Special properties	Free of substances which would hinder coating with paint or varnish
Ambient temperature (operation)	-10 °C ... 50 °C (Cable, flexible installation)

# NBC-M12FSBP/3,0-93E/R4AC - Network cable



1412330

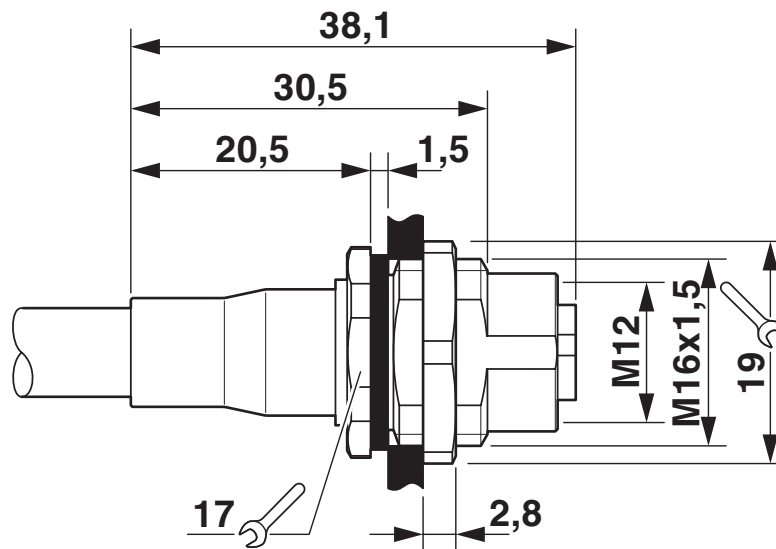
<https://www.phoenixcontact.com/us/products/1412330>

---

-40 °C ... 70 °C (cable, fixed installation)

Drawings

Dimensional drawing



M12 flush-type connector

Dimensional drawing



# NBC-M12FSBP/3,0-93E/R4AC - Network cable



1412330

<https://www.phoenixcontact.com/us/products/1412330>

## Approvals

To download certificates, visit the product detail page: <https://www.phoenixcontact.com/us/products/1412330>



**EAC**

Approval ID: 19060508

# NBC-M12FSBP/3,0-93E/R4AC - Network cable



1412330

<https://www.phoenixcontact.com/us/products/1412330>

## Classifications

### ECLASS

ECLASS-11.0	27060307
ECLASS-12.0	27060307
ECLASS-13.0	27060307

### ETIM

ETIM 9.0	EC001855
----------	----------

### UNSPSC

UNSPSC 21.0	26121600
-------------	----------

# NBC-M12FSBP/3,0-93E/R4AC - Network cable



1412330

<https://www.phoenixcontact.com/us/products/1412330>

## Environmental product compliance

REACH SVHC	Lead 7439-92-1
China RoHS	Environmentally Friendly Use Period = 50 years
	For information on hazardous substances, refer to the manufacturer's declaration available under "Downloads"

Phoenix Contact 2024 © - all rights reserved

<https://www.phoenixcontact.com>

Phoenix Contact USA  
586 Fulling Mill Road  
Middletown, PA 17057, United States  
(+717) 944-1300  
[info@phoenixcon.com](mailto:info@phoenixcon.com)